

Neozed Switch-Fuse Disconnectors - 63A

TYPES:

STVDO 21P - 1pole

STVDO 22P - 2pole

STVDO 23P - 3pole



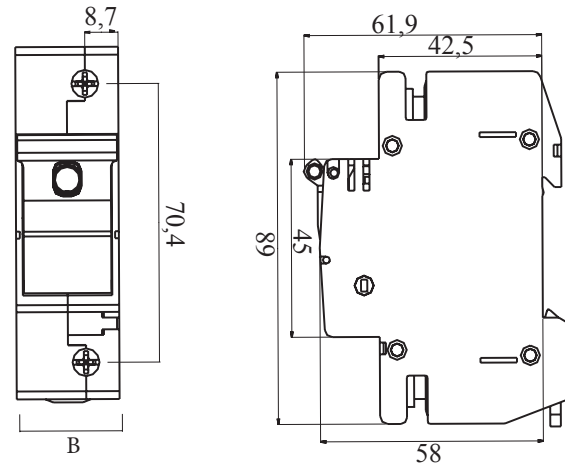
The Switch-fuse disconnecter is a device which combines the function of the switch and of the fuse type DO. STVDO2 is tested and certified according to DIN VDE 0638. EN 60947-1 and EN 60947-3.

The unit enables the following advantages of protection in comparison to the DO fuse alone:

- Changing the fuse-link without danger of direct contact with parts under voltage.
- Snap-on mounting on din rail according to DIN EN 60715.
- Complete protection against touch according to VBG 4.
- Supply may be connected from either TOP or BOTTOM.
- Can be used as a main switch and tariff fuse in a single device.
- Possibility of sealing in ON or OFF positions with or without fuse-link.

Technical data	
Number of poles	1p, 2p, 3p-
Rated voltage	230/400 V a.c., 110 V (2p) d.c.
Rated current	63 A
Rated breaking capacity	50 kA
Rated insulation voltage	400 V
Rated impulse resistance voltage	6000 V
Category of use according to DIN VDE 0638	AC 22(63 A), AC 23(35 A), DC 22 (63 A)
Category of use according to DIN E 60 947-3	AC-22A (63A/400V AC), AC-23A (35A/400V AC), DC-22B (63A/110V DC)
Mechanical life	8.500 cycles
Electrical life	1.500 cycles
Temperature of environment	-5°C ... +40°C
Air humidity	90%
Degree of protection	IP 00 according to DIN 40 050
Standards	IEC/EN 60947-1 IEC/EN 60947-3 DIN EN 60947-1 VDE 0660-100 DIN EN 60947-3 VDE 0660-107 IEC 60269-1 Ed. 4.1 2009-07 IEC 60269-3 Ed. 4.0 2010-05
Terminal capacity	1,5 - 35mm ²
Possibility of sealing	in ON or OFF position

Dimensions



ITEM	B(mm)
STVDO 21P	26,8
STVDO 22P	53,6
STVDO 23P	80,4